



KONICA MINOLTA

AccurioPrint C751i

DURABILITY MEETS SMART

RETHINK EFFICIENCY



Giving Shape to Ideas

SMART FACTORY PRINTING

In today's fast-paced business world, simplicity meets excellence with the versatile AccurioPrint C751i, catering to diverse needs with ease. Seamlessly integrating with cloud services, it offers efficiency and convenience at every step. With cutting-edge security features, the AccurioPrint C751i ensures a worry-free user experience.

Grow your business

We place great importance on empowering you to grow your business with our solutions. For instance, the AccurioPrint C751i helps enhance diversity with its extensive variety of supported media, from thin to thick paper (up to 300 g/m²). It also processes envelopes and prints on long sheets of up to 1200 mm in simplex.

Maximise your investment

We want to make sure that you get the most out of your AccurioPrint – that's why we have changed the user interface and made it entirely customizable for more convenience. Combine your printing system with various inline finishing capabilities and produce more than ever, with idle times kept to a minimum.

Improve customer loyalty

Equipped with an innovative media sensor, the AccurioPrint C751i automatically detects paper type and weight and reliably applies the right settings – which guarantees an optimized output quality. The sensor also detects envelopes saving time and minimizing the need for operator intervention. A new paper cabinet allows mixed-size paper loading, further enhancing user convenience.

THE ULTIMATE IN DIGITAL CONNECTIVITY RETHINK TECHNOLOGY

Setting new standards in durability and structural integrity, the AccurioPrint C751i is engineered for unparalleled performance and longevity. With enhanced fundamental functionalities, it ensures remarkable print stability, supporting your work seamlessly from the first page to infinity and beyond.



Intuitive operability

Operate the AccurioPrint like a smartphone or tablet with fully customized user interface.



Productivity

Reliability, high-speed scanning and printing, combined with powerful finishing functions.



Security

Secure network integration, data encryption, hard drive overwrite, and advanced user authentication.



Mobile connectivity

Print anytime from anywhere with Konica Minolta's innovative mobile technologies.



STATE-OF-THE-ART PRINT WORKFLOW

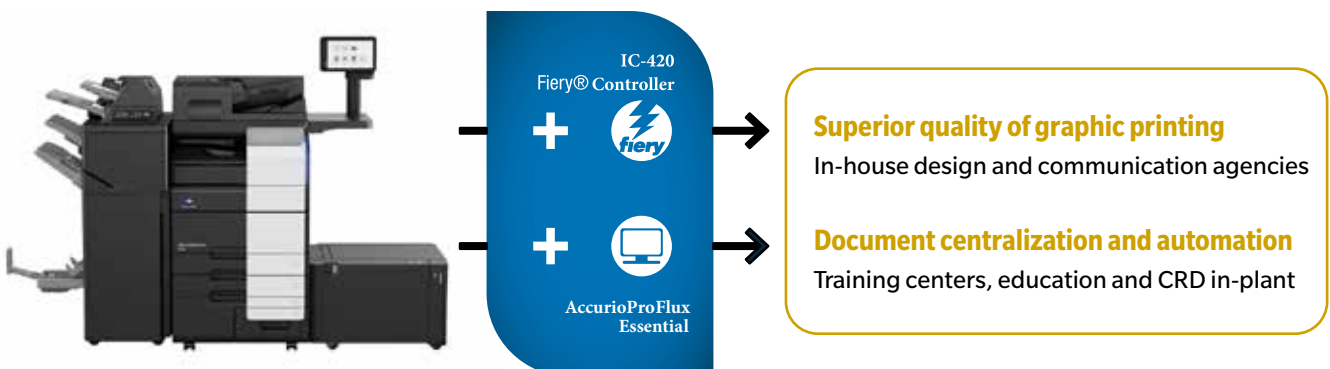
The AccurioPrint C751i seamlessly integrates performance, ease of use, modernity, and connectivity.

AccurioPro Flux Essential Configuration

Elevate productivity with the integration of the AccurioPro Flux Essential workflow solution, seamlessly automating document preparation and production from a centralized workstation. Bid farewell to laborious tasks and embrace efficiency, as customizable make ready templates help save valuable time. Streamline your workflow through intuitive software functionalities, facilitating seamless collaboration and effortless document management.

IC-420 Fiery Controller Configuration

Experience unparalleled graphic printing quality and color precision with the AccurioPrint C751i system powered by the Fiery controller. This configuration ensures professional-grade communication materials every time, reducing labor costs, cutting turnaround times, and minimizing errors and paper waste. With instant visual preview and advanced make-ready capabilities, job layout is simplified, while industry leading variable data printing (VDP) formats are supported.



YOUR ADVANTAGES WITH THE AccurioPrint C751i

RETHINK PRODUCTION PRINTING

READY-MADE PRINT PRODUCTS

- 20-sheet booklet making
- 100-sheet stapling
- For highest automation and enormous productivity

POWERFUL WORKFLOW

- AccurioPro Flux Essential offers full compatibility with print engine on-board job control and editing.
- Manage incoming jobs with a wide range of intelligent print functions.
- Optimises print output

DURABLE PERFORMANCE

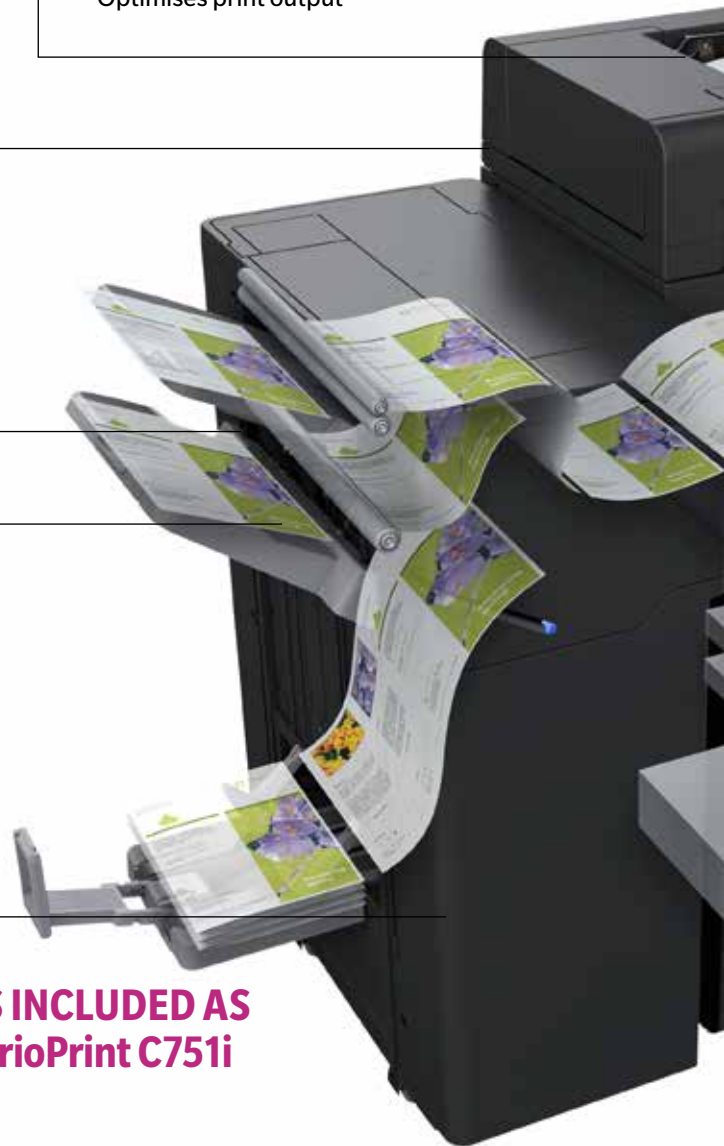
- Up to 70/75 A4 pages per minute (colour/monochrome)
- Up to 35/37 A3 pages per minute (colour/monochrome)

GEARED-UP FINISHING

- Stacking for up to 3,000 sheets
- Letter fold-in
- Minimized operator intervention
- For optimized budgets

NEW APPLICATIONS INCLUDED AS STANDARD ON AccurioPrint C751i

- Copy-frame erasing
- Book copy
- Memory RX box
- Secure print
- ID copy card



HIGH-END PRINT CONTROL

- Internal EFI controller
- Command Workstation
- Optional Fiery productivity package
- For intuitive operation
- To save time and money

EASE OF USE

- Innovative 10-inch capacitive colour touch screen panel
- Pop-up windows open for all function settings
- Seamless integration into document workflows:
 - For maximum ease of use
 - Frees operators for more important jobs
 - OpenAPI and IWS support

SOPHISTICATED MEDIA HANDLING

- Automatic media recognition
- New intelligent media sensor
- Up to 6,630 sheets paper input capacity
- Up to 6 paper input trays
- For enhanced overall productivity

PERFECT IMAGE QUALITY

- True 1,200 x 1,200 dpi resolution
- Simitri V toner technology
- For new print applications

COMPREHENSIVE MEDIA PROCESSING

- Up to 300 g/m² paper weight in simplex and duplex printing
- Long sheet size of up to 1,200 mm
- Envelope printing
- For highly flexible print products
- To stand out from competition

ENVIRONMENTAL AWARENESS

- For reduced environmental impact
- Improved efficiency based on green values



CUSTOMER BENEFITS



Intuitive operability
Operate the AccurioPrint like a smartphone or tablet with fully customised user interface



Mobile connectivity
Print anytime from anywhere with Konica Minolta's innovative mobile technologies



Security
Secure network integration, data encryption, storage data overwrite, and advanced user authentication



Application ecosystem
Enhanced efficiency thanks to Konica Minolta's extensive applications portfolio



Productivity
Reliability, high-speed scanning and printing, combined with powerful finishing functions



Sustainability
Numerous eco features reduce energy consumption and costs

OPTIONS

1 ENHANCED FEATURES

OCR text recognition
LK-105v4

Barcode fonts
LK-106

Unicode fonts
LK-107

OCR A and B fonts
LK-108

Document converter pack
LK-110v2

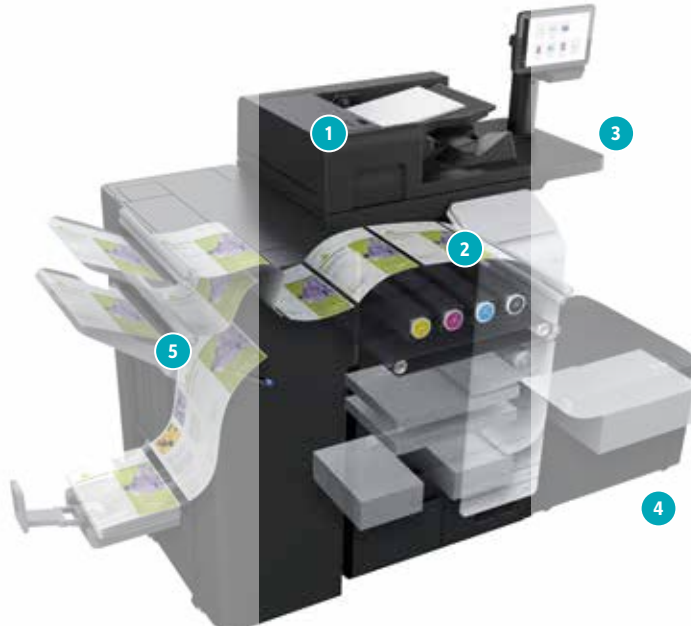
ThinPrint® client
LK-111

Serverless pull printing
LK-114

Trusted Platform Module
LK-115v2

Antivirus
LK-116

FOIP activation
LK-117



2 CONNECTIVITY

Fiery controller
IC-420

Interface kit for IC-420
VI-516

AccurioPro Flux Essential

Fax board
FK-514

Wireless LAN
UK-221

USB I/F kit
EK-608

USB I/F kit with bluetooth
EK-609

Biometric authentication
AU-102

Card authentication
ID card reader

Mount kit
MK-735

3 OTHERS

Upright panel
WT-519

Working table
WT-506

Offline Stapler
FS-P04

10-Key pad
KP-102

Security kit
SC-509

Replacement SSD
EM-908

Keyboard holder
KH-102

Air cleaning unit
CU-102

4 MEDIA INPUT

Large capacity tray
LU-303

Large capacity tray
LU-205

Banner tray
MK-730

5 MEDIA OUTPUT

Output tray
OT-514

Staple finisher
FS-539

Relay unit
RU-519

Booklet finisher
FS-539SD

Relay unit
RU-519

Punch kit for FS-539/SD
PK-524

Staple finisher
FS-540

Relay unit
RU-519

Booklet finisher
FS-540SD

Relay unit
RU-519

Punch kit for FS-540/SD
PK-526

Post inserter for FS-540/SD
PI-507

Job separator for FS-540/SD
JS-602

Z-fold unit for FS-540/SD
ZU-609

LEGEND

- Mandatory Fiery Package option
- Mandatory Flux Package option
- Option
- This option can only be installed with the respective option above it

FINISHING FUNCTIONALITIES



Corner stapling



Two-point stapling



Two-hole punching



Four-hole punching



Duplex



Combined mixplex/mixmedia



Half-fold



Sheet insertion



Letter-fold



Booklet



Offset sorting



Z-fold



Banner printing



Corner Stapling (offline)

OPTIONS

ENHANCED FEATURES

LK-104v3 Voice guidance	Supports voice guidance
LK-105v4 OCR text recognition	Searchable PDF and PPTX
LK-106 Barcode fonts	Supports native barcode printing
LK-107 Unicode fonts	Supports native Unicode printing
LK-108 OCR A and B fonts	Supports native OCR A and B font printing
LK-110v2 Document converter pack	Generates various file formats incl. DOCX, XLSX and searchable PDF
LK-111 ThinPrint® client	Print data compression for reduced network impact
LK-114 Serverless pull printing	Secure and Follow Me printing solution requiring no server application
LK-115v2 Trusted Platform Module	Trusted Platform Module for protection of data encryption and decryption
LK-116 Antivirus	Bitdefender® antivirus provides real time scanning of all incoming and outgoing data
LK-117 FOIP activation	Fax over IP networks (T.38), requires fax kit

CONNECTIVITY

FK-514 Fax board	Super G3 fax, digital fax functionality
UK-221 Wireless LAN	Wireless LAN and wireless LAN Access Point Mode
EK-608 USB I/F kit	USB keyboard connection
EK-609 USB I/F kit	USB keyboard connection; Bluetooth
IC-420 Fiery controller	Professional colour print controller
VI-516 Interface kit for IC-420	Fiery controller interface card
AU-102 Biometric authentication	Finger vein scanner
ID card reader	Various ID card technologies
MK-735 Mount kit	Installation kit for ID card reader
AccurioPro Flux Essential	Centralized Workflow Solution
AccurioPro Flux Essential - 1year SMP	Software Annual Service Maintenance

OTHERS

WT-506 Working table	Authentication device placement
FS-P04 Offline Stapler	Offline stapler, 20 sheets stapling
WT-519 Upright panel	Working table for upright panel
KP-102 10-Key pad	For use instead of touchscreen
SC-509 Security kit	Copy guard function
EM-908 Replacement SSD	1 TB SSD to increase storage space
KH-102 Keyboard holder	To place USB keyboard
CU-102 Air cleaning unit	Improving indoor air quality by reduced emission

MEDIA INPUT

LU-303 Large capacity tray	3,000 sheets, A4, 52–256 g/m ²
LU-205 Large capacity tray	2,500 sheets, A4–SRA3, 52–256 g/m ²
MK-730 Banner tray	Multipage banner feeding

MEDIA OUTPUT

OT-514 Output tray	Output tray used instead of finisher
FS-539 Staple finisher	50 sheets stapling; 3,200 sheets max. output
FS-539SD Booklet finisher	50 sheets stapling; 20 sheets booklet finisher; 2,200 sheets max. output
PK-524 Punch kit for FS-539/SD	2/4 hole punching; autoswitching
FS-540 Staple finisher	100 sheets stapling; 3,200 sheets max. output
FS-540SD Booklet finisher	100 sheets stapling; 20 sheets booklet finisher; 2,700 sheets max. output
PK-526 Punch kit for FS-540/SD	2/4 hole punching; autoswitching
RU-519 Relay unit	For FS-539/SD or FS-540/SD installation
PI-507 Post inserter for FS-540/SD	Cover insertion; post finishing
JS-602 Job separator for FS-540/SD	Separation of fax output; etc.
ZU-609 Z-fold unit for FS-540/SD	Z-fold for A3 prints

TECHNICAL SPECIFICATIONS

SYSTEM SPECIFICATIONS

System speed A4	Up to 70/75 ppm (colour/ monochrome)
System speed A3	Up to 35/37 ppm (colour/ monochrome)
Autoduplex speed A4	Up to 70/75 ppm (colour/ monochrome)
1st page out time A4	3.8/2.8 sec. (colour/ monochrome)
Warm-up time	Approx. 14/13 sec. (colour/ monochrome) ¹
Imaging technology	Laser
Toner technology	Simitri® V polymerised toner
Panel size/resolution	10.1" / 1024 x 600
System memory	8,192 MB (standard/max)
System hard drive	256 GB SSD (standard) / 1 TB SSD (optional)
Interface	10/100/1,000-Base-T Ethernet; USB 2.0; Wi-Fi 802.11 b/g/n/ac (optional)
Network protocols	TCP/IP (IPv4 / IPv6); SMB; LPD; IPP; SNMP; HTTP(S); Bonjour
Automatic document feeder	Up to 300 originals; A6-A3; 35-210 g/m ² ; Dualscan ADF
ADF double feed detection	Standard
Printable paper size	A6-SRA3; customized paper sizes; banner paper max. 1,200 x 297 mm
Printable paper weight	52-300 g/m ²
Paper input capacity	3,630 sheets / 6,630 sheets (standard/max)
Paper tray input (standard)	1x 500; A6-A3; custom sizes; 52-256 g/m ² 1x 500; A5-SRA3; custom sizes; 52-256 g/m ² 1x 1,480; A5-A4; 52-256 g/m ² 1x 1,000; A5-A4; 52-256 g/m ²

SYSTEM SPECIFICATIONS

Large capacity tray (optional)	LU-303 3,000; A4; 52-256 g/m ² LU-205 2,500; A4-SRA3; custom sizes; 52-256 g/m ²
Manual bypass	150 sheets; A6-SRA3; custom sizes, banner; 60-300 g/m ²
Finishing modes (optional)	Offset; Group; Sort; Staple; Staple (offline); Punch; Half-fold; Letter-fold; Booklet; Post insertion; Z-fold
Automatic duplexing	A6-SRA3; 52-256 g/m ²
Output capacity	Up to 200 sheets / up to 3,300 sheets (standard/max)
Stapling	Max. 100 sheets or 98 sheets + 2 cover sheets (up to 300 g/m ²)
Stapling output capacity	Max. 200 sets
Letter fold	Max. 3 sheets
Letter fold capacity	Max. 50 sets; unlimited (without tray)
Booklet	Max. 20 sheets or 19 sheets + 1 cover sheet (up to 300 g/m ²)
Booklet output capacity	Max. 35 booklets; unlimited (without tray)
Duty cycle (monthly)	Rec. 80,000 pages; Max. ² 300,000 pages
Toner lifetime	Black up to 45,000 pages CMY up to 45,000 pages
Imaging unit lifetime	Black up to 240,000/1,000,000 pages (drum/developer) CMY up to 165,000/1,000,000 pages (drum/developer)
Power consumption	220-240 V / 50/60 Hz; Less than 2.10 kW
System dimension (W x D x H)	615 x 688 x 1207 mm (without options)
System weight	Approx. 160.0 kg (without options)

PRINTER SPECIFICATIONS

Print resolution	1,800 (equivalent) x 600 dpi; 1200 x 1200 dpi
Page description language	PCL 6 (XL3.0); PCL 5c; PostScript 3 (CPSI 3016); XPS
Operating systems	Windows 10 (32/64); Windows 11; Windows Server 2012; Windows Server 2012 R2; Windows Server 2016; Windows Server 2019; Windows Server 2022; macOS 10.14 or later; Unix; Linux; Citrix
Printer fonts	80 PCL Latin; 137 PostScript 3 Emulation Latin; Optional: Barcode fonts; OCR A and B fonts; Unicode fonts
Mobile printing	AirPrint (iOS); Mopria (Android); Konica Minolta Mobile Print (iOS/Android) optional: WiFi Direct

PRINTER SPECIFICATIONS (FIERY VERSION)

Print controller	Embedded Fiery IC-420v2
Controller CPU	Intel Celeron G4900T @ 2.9 GHz
Memory/HDD	4,096 MB / 500 GB
Page description language	Adobe PostScript 3 (CPSI 3020); PCL 6; PCL 5c
Operating systems	Windows 7 (32/64); Windows 8.1 (32/64); Windows 10 (32/64); Windows 11; Windows Server 2022; macOS 10.14 or later
Platform	FS 500

SCANNER SPECIFICATIONS

Scan speed	200dpi Up to 140/140 ipm in simplex (colour/ monochrome) Up to 280/280 ipm in duplex (colour/ monochrome)
Scan resolution	Up to 600 x 600 dpi
Scan modes	Scan-to-eMail (Scan-to-Me); Scan-to-SMB (Scan-to-Home); Scan-to-FTP; Scan-to-Box; Scan-to-USB; Scan-to-WebDAV; Scan-to-DPWS; Scan-to-URL; TWAIN scan
File formats	JPEG; TIFF; PDF; Compact PDF; Encrypted PDF; XPS; Compact XPS; PPTX; PDF/A 1a and 1b optional: Searchable PDF; Searchable DOCX/PPTX/XLSX
Scan destinations	2,000 destinations + 100 groups; LDAP support

COPIER SPECIFICATIONS

Copy resolution	600 x 600 dpi
Gradation	256 gradations
Multicopy	1-9,999
Original format	Max. A3
Magnification	25-400% in 0.1% steps; Auto-zooming

FAX SPECIFICATION

Fax standard	Super G3 (optional)
Fax transmission	Analogue; i-Fax; Colour i-Fax; IP-Fax
Fax resolution	Up to 600 x 600 dpi
Fax compression	MH; MR; MMR; JBIG
Fax modem	Up to 33.6 Kbps
Fax destinations	2,000 single + 100 groups

USER BOX SPECIFICATIONS

Storable documents	Up to 3,000 documents or 10,000 pages
Type of user boxes	Public; Personal (with password or authentication); Group (with authentication)
Type of system boxes	Secure print; Encrypted PDF print; Fax receipt; Fax polling

SYSTEM FEATURES

Security	ISO15408 Common Criteria (in evaluation); IP filtering and port blocking; TLS1.2/1.3 network communication; IPsec support; IEEE 802.1x support; User authentication; Authentication log; Secure print; Kerberos; Storage data overwrite; Storage data encryption (AES 256); Confidential fax; Print user data encryption optional: Antivirus realtime scanning (Bitdefender®) Copy protection (Copy Guard, Password Copy)
Accounting	Up to 1,000 user accounts; Active Directory support (user name + password + e-mail + smb folder); User function access definition; Authentication by mobile device (Android) optional: Biometric authentication (finger vein scanner); ID card authentication (ID card reader); Authentication by mobile device (iOS)
Software	Data Administrator; Web Connection; HDD Backup Utility; Driver Packaging Utility; Log Management Utility; Font Management Utility; Download Manager

¹ Warm-up time may vary depending on the operating environment and usage

² If the maximum volume is reached within a period of one year, then a maintenance cycle must be performed

- All specifications refer to A4-size paper of 80 g/m² quality.
- The support and availability of the listed specifications and functionalities varies depending on operating systems, applications and network protocols as well as network and system configurations.
- The stated life expectancy of each consumable is based on specific operating conditions such as page coverage for a particular page size (5% coverage of A4). The actual life of each consumable will vary depending on use and other printing variables including page coverage, page size, media type, continuous or intermittent printing, ambient temperature and humidity.
- Some of the product illustrations contain optional accessories.
- Specifications and accessories are based on the information available at the time of printing and are subject to change without notice.
- Konica Minolta does not warrant that any specifications mentioned will be error-free.
- All brand and product names may be registered trademarks or trademarks of their respective holders and are hereby acknowledged.

Simitri V 



Konica Minolta Business Solutions Asia Pte Ltd

21 Media Circle
#08-01 Infinite Studios
Singapore 138562
Tel: +65 6563 5533
Email: sales@konicaminolta.sg
www.konicaminolta.com

PRESENCE IN THE REGION

BANGLADESH . BRUNEI . CAMBODIA . INDONESIA . LAOS . MALAYSIA . MAURITIUS . MYANMAR . PHILIPPINES . SINGAPORE . SRI LANKA . THAILAND . VIETNAM

Our organisation is certified according to ISO27001, ISO9001 and ISO14001 standards.



Please scan for more information on AccurioPrint C751i

